



Product Specification

Water Meter – Pulse Output

Application:

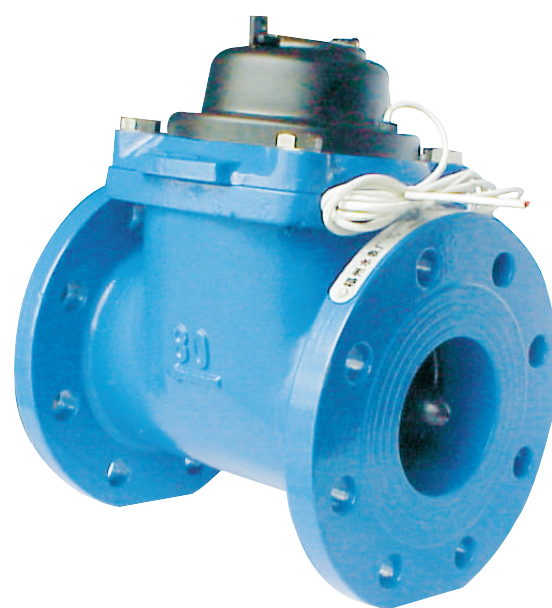
Used for measuring the volume of water passing through any pipeline in irrigation systems and sending a pulse signal to a controller or totaliser with analog inputs

Specification:

- Waltman Internal dry Dial
- Epoxy Coated Cast Iron
- Register is Hermetically sealed
- Water Temperature: up to 30°C
- Water Pressure: up to 1000Kpa
- Available with NATA test certificate to accuracy of +/- 2%

Pulse Head:

- Maximum input current 0.5AMP
- Maximum input voltage 10VDC
- 15mm – 50mm, 10 litres per pulse
- 80mm – 100mm, 100 litres per pulse
- 150mm, 1000 litres per pulse
- Red wire = common
- Blue wire = signal
- Black = not used



Size (mm)	Min. flow rate	Nominal flow rate	Maximum flow rate
15	30 LPH	1500 LPH	3000 LPH
20	50 LPH	2500 LPH	5000 LPH
25	70 LPH	3500 LPH	7000 LPH
32	120 LPH	6000 LPH	12 000 LPH
40	200 LPH	10 000 LPH	20 000 LPH
50	450 LPH	15 000 LPH	30 000 LPH
80	1200 LPH	40 000 LPH	80 000 LPH
100	1800 LPH	60 000 LPH	120 000 LPH
150	4500 LPH	150 000 LPH	300 000 LPH

* Select meter using nominal flow rate as guide

Description	Order Code	Order Code with Test Certificate
15mm male thread	MT-EXPH15MM	-
20mm male thread	MT-EXPH20MM	-
25mm male thread	MT-EXPH25MM	-
32mm male thread	MT-EXPH32MM	-
40mm male thread	MT-EXPH40MM	-
50mm female thread	MT-EXPH50MM	MT-EXPH50MMTC
80mm table C	LXLG-PH80MM	LXLG-PH80MMTC
100mm table C	LXLG-PH100MM	LXLG-PH100MMTC
150mm table C	LXLG-PH150MM	LXLG-PH150MMTC

See over for dimensions

E-MAIL

hrproducts@bigpond.com

WEB SITE

www.hrproducts.com.au

PERTH

207 BANNISTER ROAD
CANNING VALE
WESTERN AUSTRALIA 6155
PHONE: (08) 9455 1677
TOLL FREE: 1 800 998 037

ADELAIDE

Cnr WILSON ST & FREDERICK RD
ROYAL PARK
SOUTH AUSTRALIA 5014
PHONE: (08) 8341 0008
TOLL FREE: 1 800 888 125

BRISBANE

14-16 TOLMER PLACE
SPRINGWOOD
QUEENSLAND 4127
PHONE: (07) 3290 1200
TOLL FREE: 1 800 777 325

SYDNEY

11-13 SAMMUT STREET
SMITHFIELD
NSW 2164
PHONE: (02) 9725 5733
TOLL FREE: 1 800 251 945

MELBOURNE

Cnr Waterdale Rd & Vernon Ave
HEIDELBERG HEIGHTS
VICTORIA 3081
PHONE: (03) 9457 7500
TOLL FREE: 1 800 331 168

MACKAY

MOBILE: 0418 742 144

COBRAM

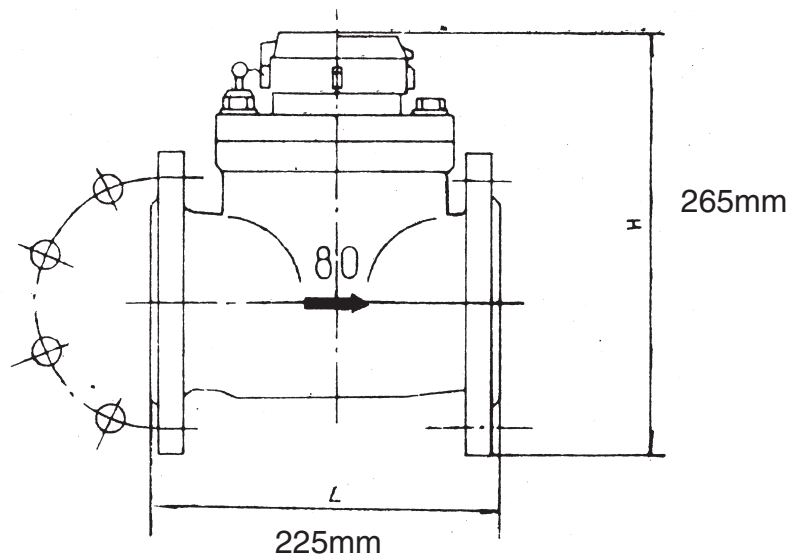
MOBILE: 0417 054 475

NEWCASTLE

MOBILE: 0418 292 769

DUBBO

MOBILE: 0409 489 092



Diameter (mm)	Length L (mm)	Width W (mm)	Height H (mm)	Weight (kg)	Inlet/Outlet
15	260	94	120	1.6	Male BSP
20	294	94	120	1.8	Male BSP
25	315	100	120	2.6	Male BSP
32	384	103	127	3.6	Male BSP
40	375	125	155	5.4	Male BSP
50	200	165	255	13.5	Female BSP
80	225	200	265	15	Table C
100	250	220	275	18	Table C
150	300	285	305	31.5	Table C
200	350	340	375	46	Table C

Installation and Maintenance:

1. Make sure water flow in same direction as arrow marked on body
2. Meter to be installed horizontal position only.
3. Flush main line before using meter.
4. Use water strainer if suspended particles present in water.