

Product Specification

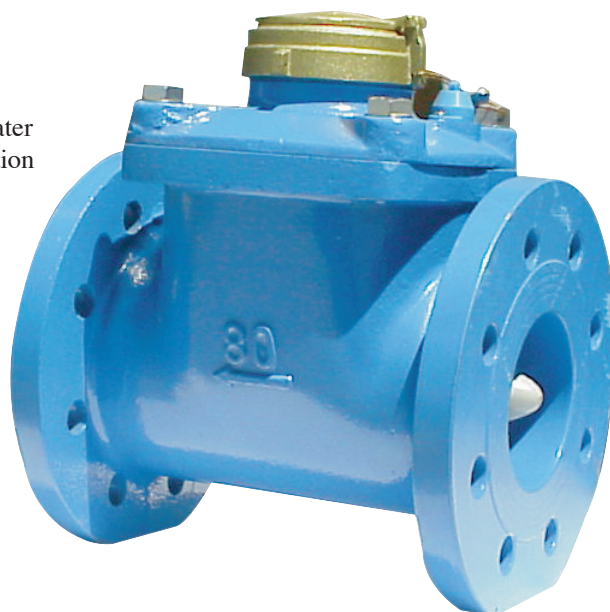
Water Meter

Application:

Used for measuring the volume of water passing through any pipeline in irrigation systems.

Specification:

- Waltman Internal dry Dial
- Epoxy Coated Cast Iron
- Register is Hermetically sealed
- Water Temperature: up to 30°C
- Water Pressure: up to 1000Kpa
- Accumulative Metering



Size (mm)	Min. flow rate	Nominal flow rate	Maximum flow rate Peak Duty
15	30 LPH	1500 LPH	3000 LPH
20	50 LPH	2500 LPH	5000 LPH
25	70 LPH	3500 LPH	7000 LPH
32	120 LPH	6000 LPH	12 000 LPH
40	200 LPH	10 000 LPH	20 000 LPH
50	700 LPH	15 000 LPH	50 000 LPH
80	1200 LPH	40 000 LPH	120 000 LPH
100	1800 LPH	60 000 LPH	200 000 LPH
150	4500 LPH	150 000 LPH	300 000 LPH
200	7500 LPH	250 000 LPH	500 000 LPH
250	12 000 LPH	400 000 LPH	800 000 LPH
300	18 000 LPH	600 000 LPH	1500 000 LPH

* Select meter using nominal flow rate as guide

Description	Order Code	Ctn QTY
15mm male thread	MT-EX15	1
20mm male thread	MT-EX20	1
25mm male thread	MT-EX25	1
32mm male thread	MT-EX32	1
40mm male thread	MT-EX40	1
50mm female thread	MT-EX50	1
80mm table C	LXLG-80	1
100mm table C	LXLG-100	1
150mm table C	LXLG-150	1
200mm table C	LXLG-200	1
250mm table C	LXLG-250	1
300mm table C	LXLG-300	1

See over for dimensions

E-MAIL

hrproducts@bigpond.com

WEB SITE

www.hrproducts.com.au

PERTH

207 BANNISTER ROAD
CANNING VALE
WESTERN AUSTRALIA 6155
PHONE: (08) 9455 1677
TOLL FREE: 1 800 998 037

ADELAIDE

Cnr WILSON ST & FREDERICK RD
ROYAL PARK
SOUTH AUSTRALIA 5014
PHONE: (08) 8341 0008
TOLL FREE: 1 800 888 125

BRISBANE

14-16 TOLMER PLACE
SPRINGWOOD
QUEENSLAND 4127
PHONE: (07) 3290 1200
TOLL FREE: 1 800 777 325

SYDNEY

11-13 SAMMUT STREET
SMITHFIELD
NSW 2164
PHONE: (02) 9725 5733
TOLL FREE: 1 800 251 945

MELBOURNE

Cnr Waterdale Rd & Vernon Ave
HEIDELBERG HEIGHTS
VICTORIA 3081
PHONE: (03) 9457 7500
TOLL FREE: 1 800 331 168

MACKAY

MOBILE: 0418 742 144

COBRAM

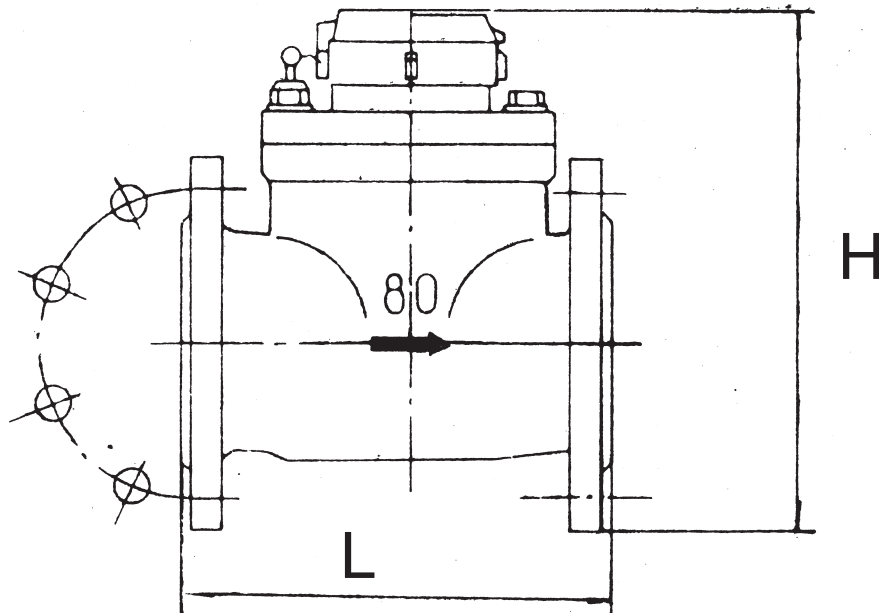
MOBILE: 0417 054 475

NEWCASTLE

MOBILE: 0418 292 769

DUBBO

MOBILE: 0409 489 092



Diameter (mm)	Length L (mm)	Height H (mm)	Weight (kg)	Inlet/Outlet
15	260	120	1.6	Male BSP
20	294	120	1.8	Male BSP
25	315	120	2.6	Male BSP
32	384	127	3.6	Male BSP
40	375	155	5.4	Male BSP
50	200	166	12	Female BSP
80	225	185	16	Table C
100	250	185	19	Table C
150	300	230	38	Table C
200	350	230	52	Table C
250	450	280	105	Table C
300	500	280	120	Table C

Installation and Maintenance:

1. Make sure water flow in same direction as arrow marked on body
2. Meter to be installed horizontal position only.
3. Flush main line before using meter.
4. Use water strainer if suspended particles present in water.